

Application: Wall Mounted Safety Shower. To use attach to the shower head. Activated by pull rod.

Shower Head: 8" diameter head provide water flow

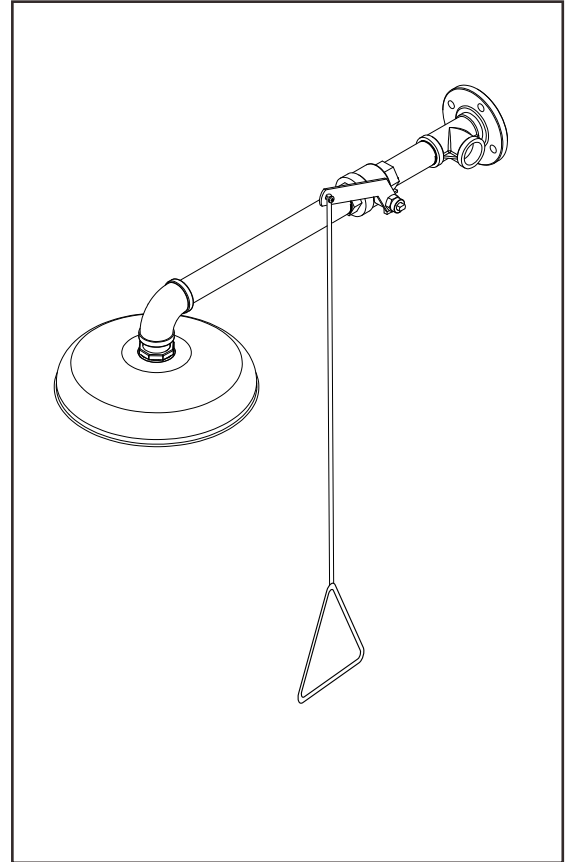
Valve: 1" Stainless steel stay-open ball valve. Valve is activated by pull rod. Unit remains in operation until handle is returned to closed position.

Pipe and Fittings: Schedule 1" galvanized steel, furnished with yellow polyethylene covers for vertical piping for corrosion resistance.

Supply: 1" NPT female inlet

Working Pressure: 0.2-0.8Mpa flow pressure, 0.9Mpa maximum static pressure.

Quality Assurance: Valve, pull rod assembly is factory assembled.

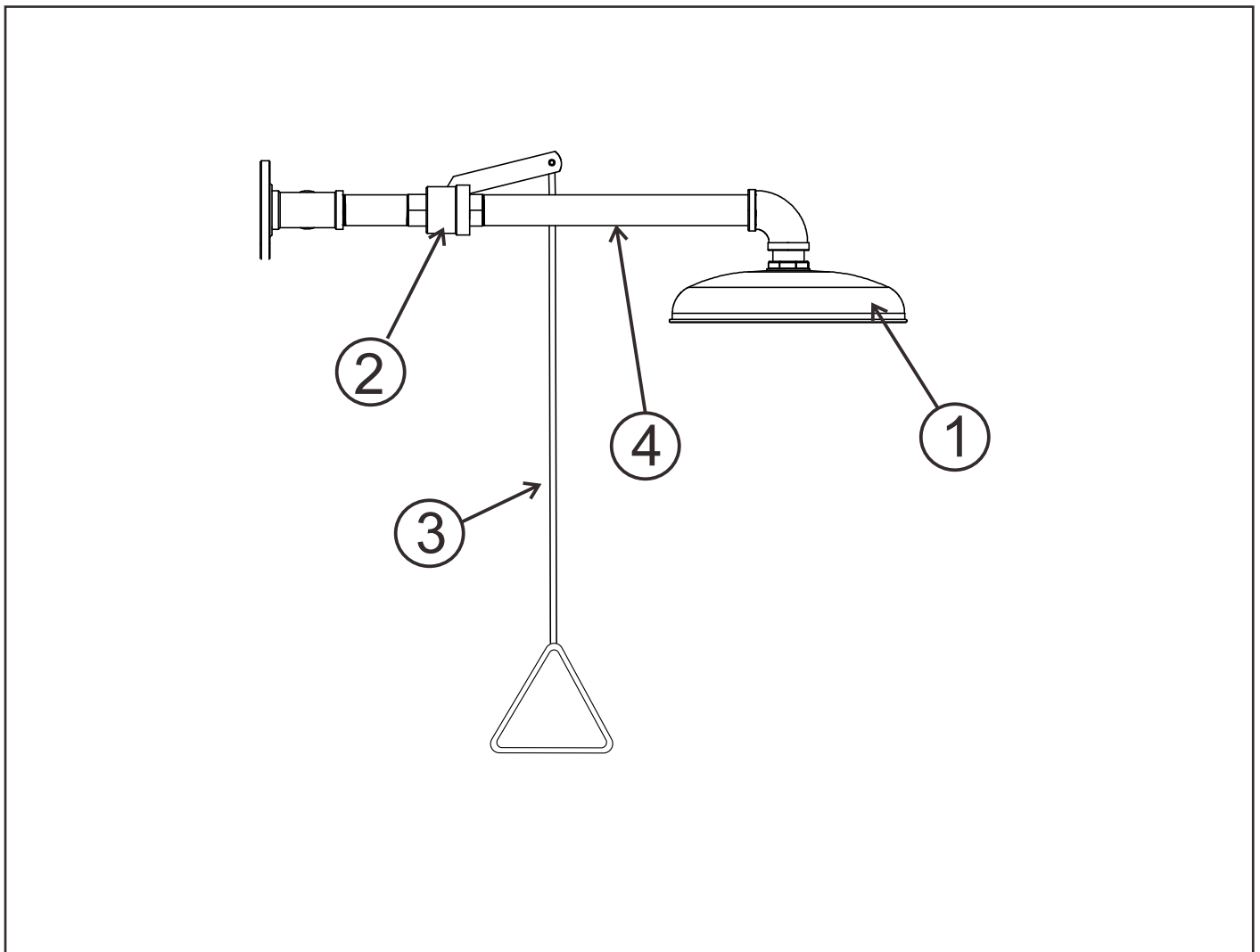


Product feature

- Connect unit to uninterruptible water supply capable. Of delivering required flow when all components are operated simultaneously.
- Shower can provide 76 liters of water per minute.
- Center of the water pattern 16" from any obstructions.
- Larger area cover of water, flow, at 60", the water pattern cover 20" in diameter
- Ball valve activate within one second.
- Easily located, accessible actuator no higher than 69"
- Controlled, low velocity flow completely rinses eyes and face is not injurious to user.
- Product meets: EN15154-1:2006 & EN15154-2:2006, AS 4775:2007, ANSI Z358.1-2014 requirement.
- Country of origin: China

Safety Shower Details Parts Listing

	Part Name	Description	Pieces
1	Shower Head	ABS Plastic	1 piece
2	Shower Valve	1" 304 Stainless Steel	1 piece
3	Pull Rod	304 Stainless Steel	1 pieces
4	Shower Connection Pipe	1" Galvanized Steel	1 piece



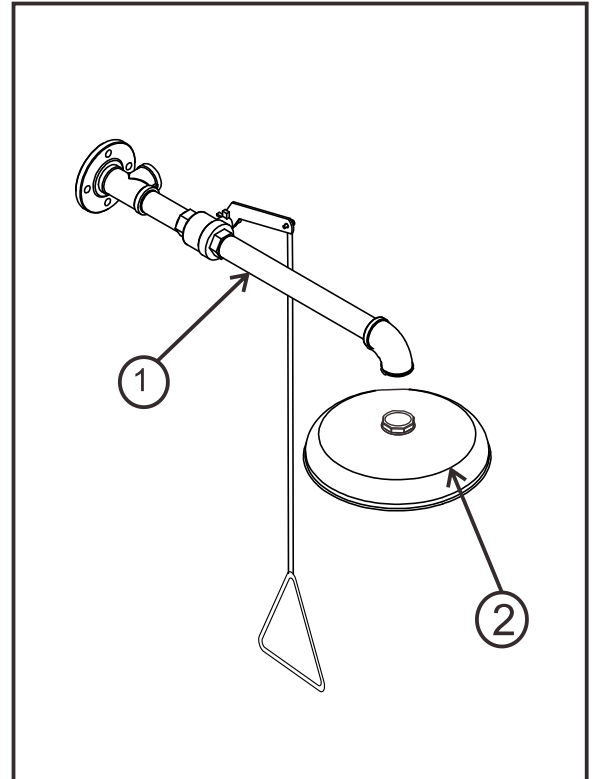
Safety Shower Assembly Instruction

Safety Shower is designed for easy assembly in the wall. Essentially, these units are assembled as described below

1. Assemble PART1 (SHOWER UNIT) to PART 2 (SHOWER HEAD UNIT)

NOTES:

- All threads are tapered pipe and require pipe joint compound or Teflon tape to assure watertight connection.
- If unit is furnished with corrosion resistant epoxy coating, care must be taken to avoid damaging finish during assembly.
- For best result, a strap wrench should be used.
- Test the entire unit for proper operation.



THE OPERATION INSTRUCTIONS:

Employees who work with hazardous materials should become familiar with the location and operation of the nearest emergency safety shower. In addition, proper clothing and equipment should be worn whenever working with hazardous materials. Emergency safety showers are simple to use and require hands free operation once the station is activated. Regular instruction regarding proper care and use will increase confidence that the units are accessible and function properly.

The route and area surrounding the Safety Shower should be clear and unobstructed; the sooner a person has rinsed off any contamination, the less likelihood of injury. Safety Shower stations should be located in close proximity to the hazard and take no more than 10 seconds to reach. In the possibility of a strong acid or strong caustic contamination the Safety Shower should be immediately adjacent to the hazard. The victim may require assistance to the Safety Shower station and help removing shoes and clothing.

Safety shower equipment should be operated weekly for a period long enough to verify operation, clear the supply line of any sediment build-up and minimize microbial contamination due to sitting water.

SHOWER OPERATION INSTRUCTIONS:

1. To start the Drench Shower pull down on the pull rod to "ON" position. The Drench Shower will start.
2. Stand directly under the spray pattern. Clothing should be removed immediately prior to or during the rinsing to prevent contamination from remaining against the body causing unnecessary injury and pain. Accept assistance removing shoes and clothing.
3. Completely rinse with arms and legs separated for approximately 15 minutes or until medical personnel arrive. Be prepared to inform medics on the type of substance that is causing the injury or contamination.
4. When finished push up on the pull handle to "OFF" position. Drenching fluid should stop.

