



**Shield
Right**

SR6604

Emergency Stainless Steel Wall-Mounted Shower with Pull Rod

Standard ANSI Z358.1-2014



We are insist to improve products structure and performance, without further notice if any change.

Product Concept

Emergency shower units are designed to rinse contaminants from the user's eyes, face or body. As such, these units are forms of first aid equipment to be used in the event of an accident. However, they are not a substitute for primary protective devices (including eye and face protection and protective clothing) or for safety procedures when handling hazardous materials. SR6604 Wall Mount Hand Operated Shower material is SS304. It is equipped with SS304 shower head. Can customize ABS shower head according to the request.

Original Water

Drinking water or filtered water.

Technical Data

Supply: 1" FNPT
Shower valve: 1" SS304 ball valve
Shower \geq 75.7L/Min

Training

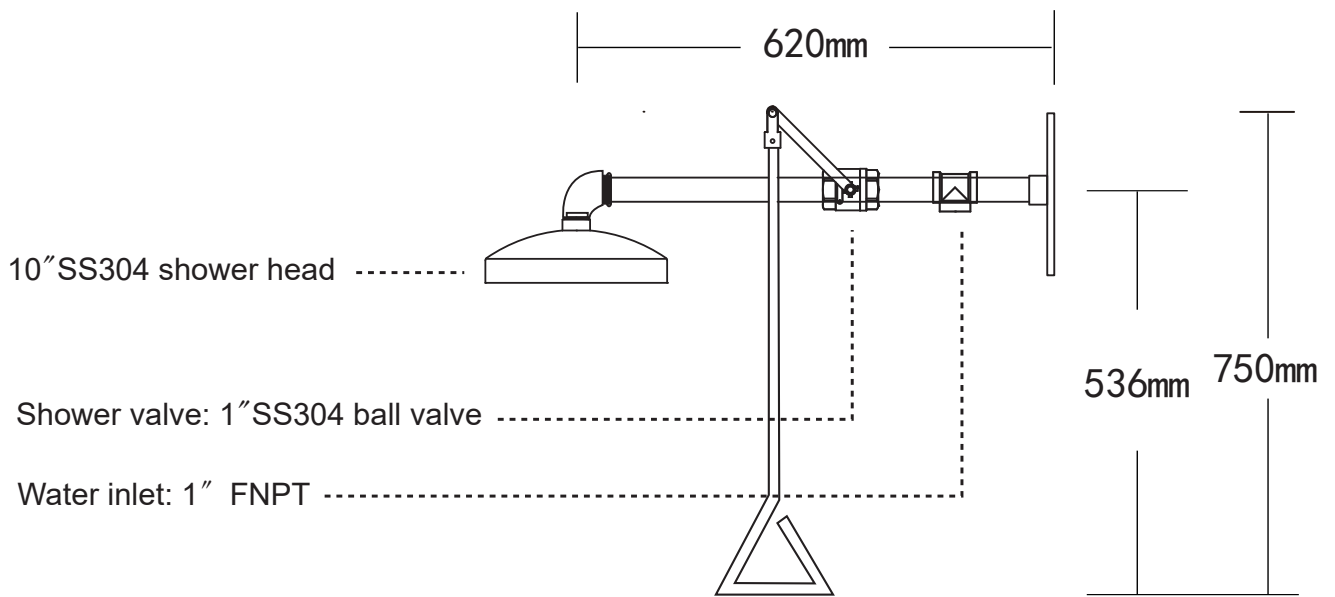
Simply installing emergency equipment is not sufficient means of ensuring worker safety. It is also very important that employees are trained in the location and proper use of emergency equipment. Research shows that after an incident has occurred, rinsing within the first ten seconds is essential. Therefore, employees at the highest risk of damaging in each department must be trained regularly. All employees must know the location of the emergency equipment and be aware that quick and effective rinsing is important in an emergency.

- The sooner the injured employee's are rinsed, the lower the risk of damage. Every second is important when preventing permanent damage to save time for medical treatment.
- All employees must be reminded that this equipment is only to be used in emergencies, tampering with the equipment may cause a malfunction.

Shower

- Use the pull rod to start the liquid flow.
- The injured should stand in the water flow once it has started.
- Ensure affected areas are in the water flow.
- Do not rinse by hand, to avoid further injury.

SR6604 Emergency Stainless Steel Wall-Mounted Shower with Pull Rod



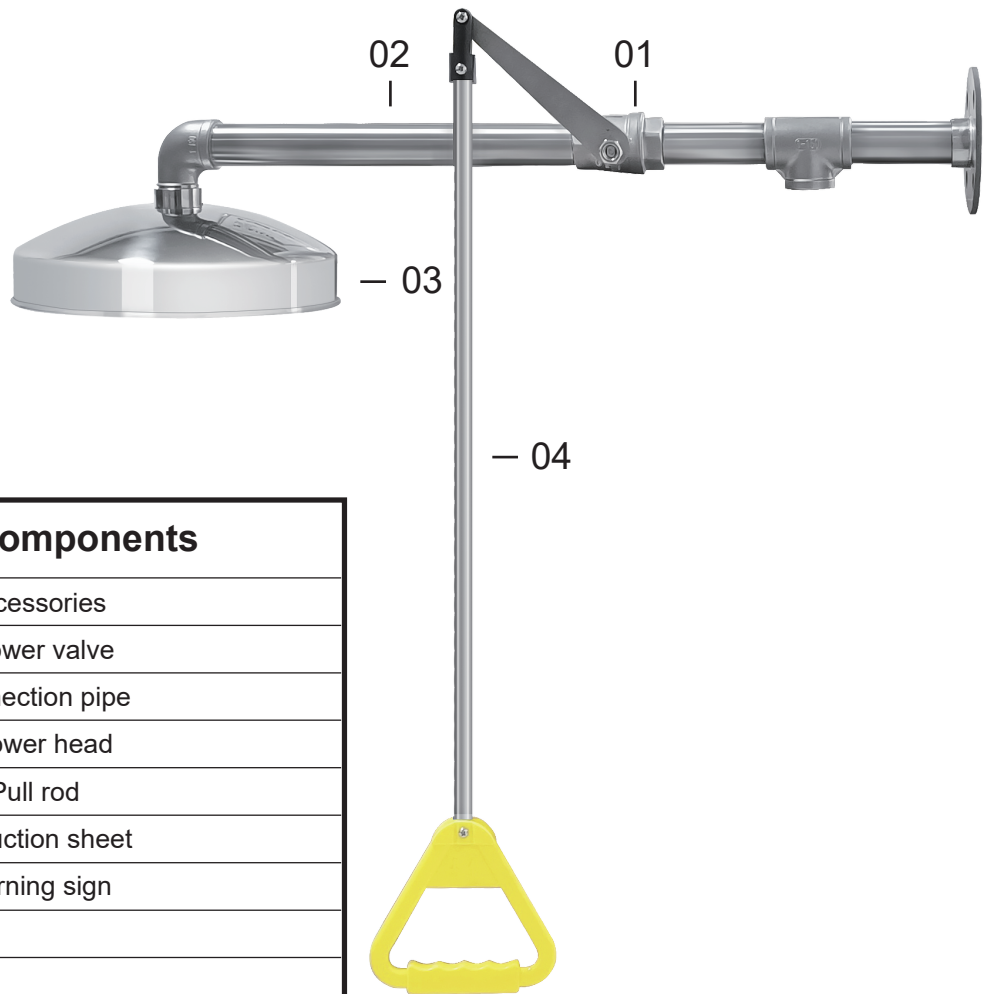
SR6604 Emergency Stainless Steel Wall-Mounted Shower with Pull Rod

Installation Steps

- Step 1: Connect the shower valve to the water inlet.
- Step 2: Connect the shower connecting pipe to the valve.
- Step 3: Install the valve handle on the shower valve.
- Step 4: Connect the shower head to the connecting pipe.
- Step 5: Connect the two pull rod.
- Step 6: Connect the pull rod to the valve handle

ATTENTION:

When fix the joint, do not back, which can avoid water leakage due to loss of sealing of PTFE.



Accessories & Components	
No.	Accessories
01	Shower valve
02	Connection pipe
03	Shower head
04	Pull rod
05	Instruction sheet
06	Warning sign

Eye Wash Maintenance Instructions

Maintenance Instructions

1. Check the eye wash device every day to ensure that the water is normal. If there is a problem, find the reason immediately and eliminate it in time.
2. Check the water release every three days, check whether the water is normal, whether there is water leakage, and the water supply pipe scales are discharged cleanly to ensure the safety and hygiene of the eye wash.
3. Check whether the eye wash parts are damaged, missing, and affect the use.
4. Regularly clean and wipe the outside of the main pipe of the eye wash or the protective shell of the electric heat tracing eye wash to avoid acid and alkaline substances to corrode the eye wash.

Fault Check

Serial Number	Fault Conditions	Methods
1	There is no water from the eye wash	(1) Check whether the water inlet is open. (2) Check whether the water inlet pipeline is frozen. (3) For the emptying type eye wash, check whether the drain valve of the eye wash is in the emptying state and whether the pedal linkage is effectively connected with the emptying system. (4) For electric heat tracing eye wash, check whether the power of the eye wash is in normal supply.
2	The water from the eye wash is too large	Set a pressure reducing valve at the water inlet
3	The water from the eye wash is too small	(1) Check if the eye wash nozzle is blocked. (2) Increase the pressure of the water source.
4	The eye wash is damaged	Contact the manufacturer or supplier to discuss repair methods or replace them directly.